

**LEISTER**

**Welding  
industrial fabrics  
with Leister.**

**Easy, fast  
and precise.**



## Leister delivers performances.

Wherever you need to apply heat, Leister provides the ideal solution. We have been the worldwide leader in the field of plastic welding and hot-air blowers for over 60 years. For several years now we have also been offering innovative and effective laser systems and microsystems. We develop and produce all of our products in Switzerland – so you can always rely on the Leister quality. And because 98% of our production is exported, therefore, we have established a dense network of service centers throughout the world – guaranteeing excellent service anytime and anywhere.

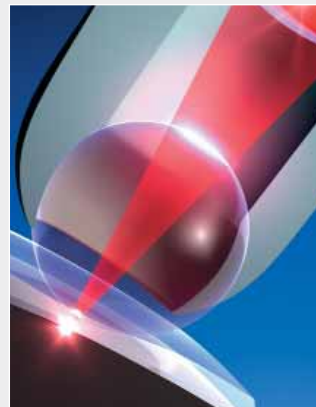


Leister Corporate Center in Kaegiswil, Switzerland



### Plastic Welding

For decades now, we have been the worldwide market leader. The proverbial performance and reliability of our products makes Leister the first choice. Our tools are used in roof sealing systems, floor coverings, plastic sheeting, in earthworks, hydraulic and tunnel engineering, in process equipment manufacturing and for vehicle repair.



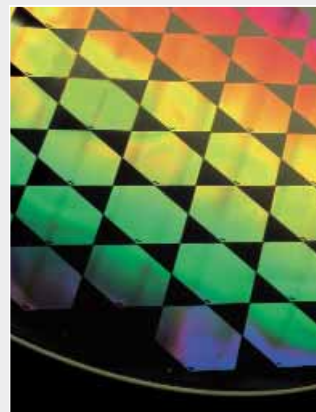
### Lasersystems

Our innovative solutions for precision welding of plastics open up new production methods in automobile manufacturing, in medical and sensory technology, electronics, as well as in microsystems technology or in soldering electronic components.



### Process heat

Whether for activation, heating, curing, melting, shrinking, welding, sterilization, drying or warming: hot-air is increasingly deployed in industrial processes. Leister customers profit from our extensive engineering knowledge and benefit from our advice in the conceptual design of hot-air applications.



### Microsystems

In tomorrow's world, the smallest of structures will play a huge role! In order for our customers to keep ahead of the field in the future, we are already developing and producing micro-mechanical sensors and micro-optical components in our cleanroom today.

## Welding industrial fabrics with Leister.

There is hardly an area where Leister is not to be found: Tarpaulins, tents, billboards, swimming pool covers, sun-blinds, covers for agricultural and construction applications, boat covers, industrial curtains and much, much more. We can supply the right unit for all applications: reliable economical automatic welding machines as well as the tried and tested hand-operated units and accessories for them.

- All devices fulfill the highest engineering standards: **CE**, **UL**, **CCA**, **IP**, **UL** and **UL** (TRIAC PID / S and HOT JET S)
- 100 % Swiss made quality
- 60 years of experience in plastic welding
- More than 120 Sales and Service Centres in 60 countries all over the world
- Leister Process Technologies is an ISO 9001:2000 certified enterprise

*Swimming pool cover in Switzerland*



*Advertising banner for an exhibition in Moscow*



*Industrial fabrics for a tent in Mexico*



*Boat cover in Northern Italy*



## Hot air welding machine

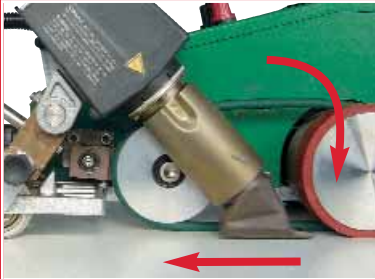
### UNIPLAN E / UNIPLAN S

The compact precision units with very simple operation.

**UNIPLAN E:** Electronically controlled for reproducible results.

**UNIPLAN S:** For very simple intuitive operation.

fig.: UNIPLAN E



Automatic start when the hot air element is swung into position.



Guide roller for precise welding process (UNIPLAN E).



Perfect air stream for 20/30 mm seams in a extraordinary quality.



Air partition for homogenous, wrinkle-free welding seams.

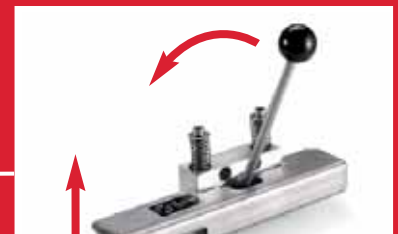


Well-arranged operating unit for all relevant welding parameters like speed, air flow (UNIPLAN E) and temperature.



Automatic control for reproducible welding results (UNIPLAN E).

Compact, robust housing for simple, trouble-free handling.



Extraction device for changing to next welding seam easily.

The handy partner for precise welding: UNIPLAN E.



- Small, light and handy
- High welding speed
- Reproducible welding results (UNIPLAN E)
- Handy, robust case included in delivery
- Digital display (UNIPLAN E)

#### Technical Data


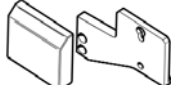





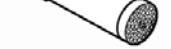
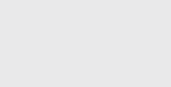
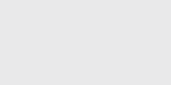
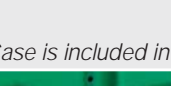
Voltage	V~	230
Power consumption	W	2300
Temperature	°C	20 – 620
Speed	m/min	1.0 – 7.5
Air flow range	%	50 – 100 (for UNIPLAN E steplessly)
Welding seam width	mm	20 or 30
Size (L x W x H)	mm	420 x 270 x 210
Weight	kg	11.5 (with 3 m cord)

#### Article no

UNIPLAN E	114.221	20 mm	With Euro plug
	114.318	30 mm	With Euro plug
UNIPLAN S	115.049	20 mm	With Euro plug
	115.050	30 mm	With Euro plug

Other versions on request

#### Accessories UNIPLAN E / UNIPLAN S

	115.065	Overlap welding unit 20 mm
	115.066	Overlap welding unit 30 mm
	115.067	Weight with holder
	115.839	Handle with holder and screws
	119.933	Hem welding kit 20 mm
	119.934	Hem welding kit 30 mm
	122.013	Hem cord welding kit with lifting device until end of 2003
	122.016	Hem cord welding kit with lifting device from 2004
	122.022	Guide bar complete
	103.604	Heating element, 230 V / 2100 W for UNIPLAN E
	101.910	Heating element, 230 V / 2100 W for UNIPLAN S

Case is included in delivery (weight and weight holder are optional).



## Tape welding machine

### TAPEMAT

The powerful package for rapid economical strip welding of lorry covers and industrial curtains. The world's fastest strip welder at up to 20 m/min.



Ergonomic, back-protecting guide bar.



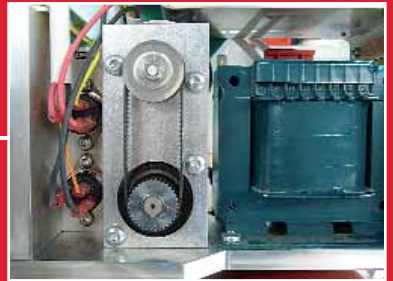
The tension brake disc ensures constant tension when rolling off the strap.



Well arranged operating unit offers simple control of the relevant welding parameters speed and temperature.



The guide roller holds the TAPEMAT on course.



Powerful 3x 400 V drive motor for top welding speeds.



Extra weights for more pressure and a perfect welding quality.



Solid hot air unit for extra fast welding.


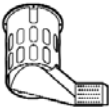


New type of strip retainer makes lifting device superfluous.





### Accessories TAPEMAT

	101.991	Heating element 3x 400 V / 3x 3300 W
	131.690	Welding nozzle complete, 50 mm

Art project in Basel, Switzerland.



- High welding speed
- Process-optimized nozzle
- Maintenance-free, brushless blower
- Intuitive operation and simple handling
- Easy to exchange counter-pressure roller
- Constant tape tension

### Technical Data

Voltage	V~	3 x 400
Power consumption	kW	10
Frequency	Hz	50/60
Temperature	°C	ca. 700
Maximal speed	m/min	20
Welding seam width	mm	50
Size (L x W x H)	mm	555 x 435 x 370
Weight	kg	40

### Article no

TAPEMAT 50 mm	129.757	With Cekon plug
---------------	---------	-----------------

## Hot air welding machine

# UNIMAT V OVERLAP / UNIMAT V TAPE

**UNIMAT V OVERLAP:** Extremely fast 20/40 mm overlap welding of industrial fabrics and banners.

**UNIMAT V TAPE:** Accurate welding of belts and tapes.



- High welding speed
- Digital display of set and actual values of welding speed, temperature and air flow
- No corrective action required thanks to the new guide roller
- Automatic start
- Integrated lifting mechanism

Technical Data		UNIMAT V OVERLAP	UNIMAT V TAPE
Voltage	V~	230	230
Power consumption	W	3680	3680
Temperature	°C	20 – 620	20 – 620
Speed	m/min	1.5 – 12	1.5 – 12
Air flow range	%	50 – 100 (steplessly)	50 – 100 (steplessly)
Welding seam / tape width	mm	20 or 40	40 or 50
Size (L x W x H)	mm	600 x 430 x 310	600 x 415 x 310
Weight	kg	23.0 (with 5 m cord)	28.0 (with 5 m cord)

### Article no



119.095	OVERLAP 20 mm	With Euro plug
119.094	OVERLAP 40 mm	With Euro plug
119.097	TAPE 40 mm	With Euro plug
119.096	TAPE 50 mm	With Euro plug

Other versions on request

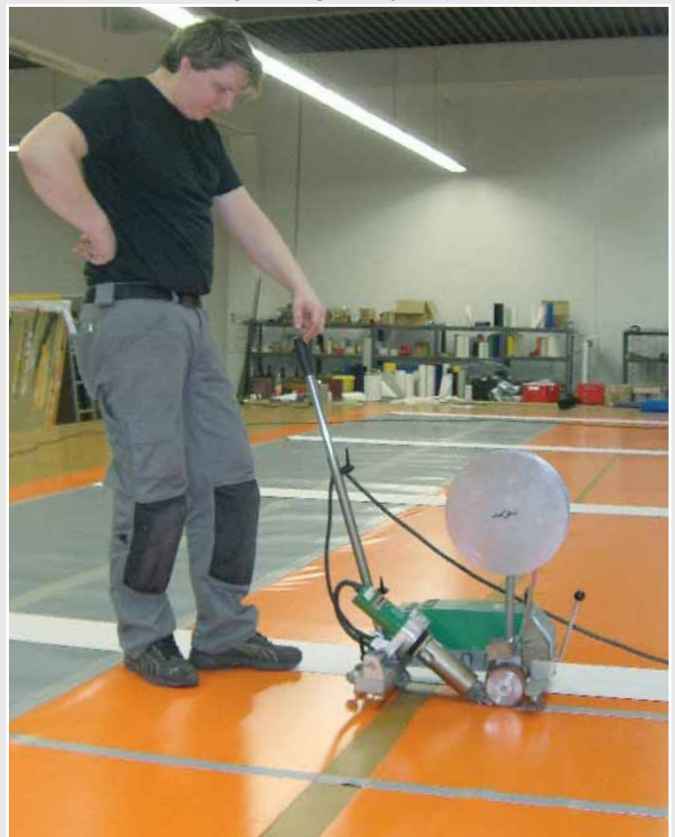
### Accessories UNIMAT V OVERLAP

	<b>128.098</b>	Hem cord roll 20 mm
	<b>128.099</b>	Hem cord roll 40 mm
	<b>114.510</b>	Overlap welding nozzle 20 mm
	<b>114.498</b>	Overlap welding nozzle 40 mm
	<b>115.014</b>	Retrofit kit for tape welding 40 mm
	<b>115.015</b>	Retrofit kit for tape welding 50 mm

### Accessories UNIMAT V TAPE

	<b>115.184</b>	Retrofit kit from tape to overlap welding 20 mm
	<b>115.185</b>	Retrofit kit from tape to overlap welding 40 mm
	<b>115.192</b>	Tape welding unit 40 mm to convert 50 mm tape to 40 mm tape
	<b>115.193</b>	Tape welding unit mm to convert 40 mm tape to 50 mm tape

*UNIMAT V TAPE during welding of lorry straps.*







▲ Windbreak, Shell gas station, Switzerland

▼ Lorry cover «Daetwyler Cables», Switzerland



Hand tool

## TRIAC S / TRIAC PID

**TRIAC S:** the reliable, cost-effective and proven hand tool with steplessly controlled temperature range.

**TRIAC PID:** thanks to micro-processor controlled temperature and electronic monitoring. For welding with high quality.



- Adaptor tube with heat protection
- Motor shut-off at minimal carbon level
- Multiple replacement of carbon brushes possible
- Suitable for continuous operation
- Reproducible results thanks to digital display of set and actual temperature (TRIAC PID)

### Technical Data





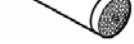




Voltage	V~	230
Power consumption	W	1600
Temperature	°C	20 – 700 (TRIAC S) 50 – 600 (TRIAC PID)
Air flow (20°C)	l/min	230
Pressure static	Pa	ca. 3000 (30 mbar)
Size (L x Ø)	mm	340 x 90, handle Ø 56
Weight	kg	1.4 (with 3 m cord)

### Article no

TRIAC S	100.705	With Euro plug
TRIAC PID	100.741	With Euro plug

Other versions on request

### Accessories TRIAC S / TRIAC PID

	107.123	Wide slot nozzle 20 mm, angled, push-fit
	105.487	Wide slot nozzle 20 mm, bent and angled, push-fit
	107.132	Wide slot nozzle 40 mm, push-fit
	100.689	Heating element, 230 V / 1550 W for TRIAC S
	100.296	Heating element, 230 V / 1550 W for TRIAC PID
	106.975	One-arm pressure roller 40 mm, with ball bearings (silikon)
	106.976	Pressure roller 28 mm (PTFE)
	106.977	Pressure roller 28 mm (silikon)
	106.981	Customs seal roller

Other accessories on request

*TRIAC PID: Controlled welding temperature for a perfect quality.*





Hand tool

# HOT JET S







As the most compact hand tool from Leister, the HOT JET S' low weight of just 600 grams, incl. cord and slim handle, ensures fatigue-free welding and high power.



- The smallest hand tool worldwide
- Electronic steplessly controlled temperature and air flow
- Low noise
- Electronic heating element protection
- Integrated flexible tool stand

Technical Data		
Voltage	V~	230
Power consumption	W	460
Temperature	°C	20 – 600
Air flow (20°C)	l/min	20 – 80
Pressure static	Pa	max. 1600 (16 mbar)
Size (L x Ø)	mm	235 x 70, handle Ø 40
Weight	kg	0.6 (with 3 m cord)
<b>Article no</b>		
HOT JET S	100.648	With Euro plug
Other versions on request		

### Accessories HOT JET S

	107.142	Wide slot nozzle 20 mm, push-fit
	100.818	Heating element, 230 V / 435 W
	106.975	One-arm pressure roller 40 mm, with ball bearings (silicon)
	106.976	Pressure roller 28 mm (PTFE)
	106.977	Pressure roller 28 mm (silikon)
	106.981	Customs seal roller

*HOT JET S: Small and compact for use in even the largest of fabrications.*







**Headquarters:**

Leister Process Technologies  
Galileo-Strasse 10  
6056 Kaegiswil/Switzerland

phone: +41 41 662 74 74  
fax: +41 41 662 74 16  
leister@leister.com

[www.leister.com](http://www.leister.com)

Leister Process Technologies is an ISO 9001:2000 certified enterprise.

Specifications are subject to change without prior notice



Our close worldwide network of more than 120 Sales and Service Centres in more than 60 countries.

© Copyright by Leister